



17 & 20kW¹ STANDBY GENERATOR



BRIGGS & STRATTON® THE SMART CHOICE

For the discerning homeowner that is looking for the smartest, most reliable permanent backup power solution.



Unique Airflow Technology

- Making these models 50% quieter than most portable generators
- The unique design pushes engine exhaust out the front, directly away from your home

Flexible Placement

- Approved for installation as close as 18" to a building²

Symphony® II Power Management System

- Customizable to your home's needs
- Automatically balances the power of your home's electrical load including high wattage items like air conditioning units and electric ovens
- Offers whole house power with a more affordable home generator

Commercial-Grade Briggs & Stratton Vanguard™ Engine

- Powerful V-Twin OHV engine
- Easy conversion between natural gas (NG) and liquid propane gas (LP) during installation

Quality Clean Power

- Ensures your electronics are safely powered

Corrosion Resistant Enclosure & Base

- Made with automotive grade galvanized steel to resist rust
- Powder-coated paint for years of protection against chips and abrasions



GENERATOR SET RATINGS

	MODEL	VOLTAGE	PHASE	HZ	BREAKER	LIQUID PROPANE GAS		NATURAL GAS		LIMITED WARRANTY ³
						LP kW	LP AMPS	NG kW	NG AMPS	PARTS, LABOR, TRAVEL
17 kW	Briggs & Stratton 040549	120/240	1	60	80	17	70.8	15.3	63.8	5 Year
20 kW	Briggs & Stratton 040336	120/240	1	60	100	20	83.3	18	75	5 Year

¹ This generator is rated in accordance with UL (Underwriters Laboratories) 2200 (stationary engine generator assemblies) and CSA (Canadian Standards Association) standard C22.2 No. 100-04 (motors and generators).

² The installation manual contains specific instructions related to generator placement in addition to NFPA 37, including the requirement that carbon monoxide detectors be installed and maintained in your home.

³ Warranty details available at www.briggsandstratton.com



ENGINE SPECIFICATIONS

ENGINE		LUBRICATION	
Engine Model	Briggs & Stratton Vanguard™	Oil Capacity (oz)	79
Engine Model Type Trim Number	613275-0003-E1	Lubrication System	Full Pressure
Engine Speed (RPM)	3600	Recommended Oil	5W30 Full Synthetic
Engine Fuel	Liquid Propane (LP) or Natural Gas (NG)	Low Oil Pressure Sensor	Yes
Engine Cylinder Configuration	OHV	ALTERNATOR SPECS	
Number of Cylinders	2	Manufacturer	Briggs & Stratton
Displacement (cc)	60.6 / 993	Type	Self-Excited, Rotation Field
Bore & Stroke (in)	3.37 / 3.41	Voltage Regulator	Automatic
Compression Ratio	8.5:1	Insulation	Class F
Governor Type	Electronic	CONTROLLER FEATURES	
Frequency Regulation	+/- .5%	Hour Meter	Yes
Valves	OHV with Hardened Seats	LED Digital Display	Yes
Ignition System	Fixed timing Magnetron® Electric Ignition	Fault Code Display	Yes
Starter Motor Rating Voltage	12 Volt	Weekly Exerciser	Yes
Battery	12 Volt		

OPERATIONS

FUEL CONSUMPTION ¹					SOUND RATING AT 7 METERS PER ISO 3744		
		50% Load		100% Load		17kW	20kW
17kW	Liquid Propane	74 ft ³ / hr	2.06 gal / hr	118 ft ³ / hr	3.28 gal / hr	69 dBA	68.4 dBA
	Natural Gas	170 ft ³ / hr	—	248 ft ³ / hr	—		
20kW	Liquid Propane	83 ft ³ / hr	2.31 gal / hr	135 ft ³ / hr	3.75 gal / hr		
	Natural Gas	187 ft ³ / hr	—	260 ft ³ / hr	—		

Lowest measurement of 12 microphones around generator. Sound level measurement at other locations around generator may be different depending upon installation configuration.

¹ Fuel consumption rates are estimated based on normal operating conditions. Generator operation may be greatly affected by elevation and the cycling operation of multiple electrical appliances – fuel flow rates may vary depending on these factors.



ADDITIONAL INFORMATION

OTHER FEATURES

Enclosure Material	Galvanneal Steel with Corrosion Resistant Paint
Overcrank Protection	Yes
Engine Warm Up (sec)	20 or 50 Automatic Transfer Switch Controlled
Engine Cool Down (min)	1
Response Time (sec)	26 or 56 Automatic Transfer Switch Controlled
Monitoring Options	Basic Wireless Monitor InfoHub™ Monitor
Continuous Battery Charging	Yes

WEIGHT AND DIMENSIONS

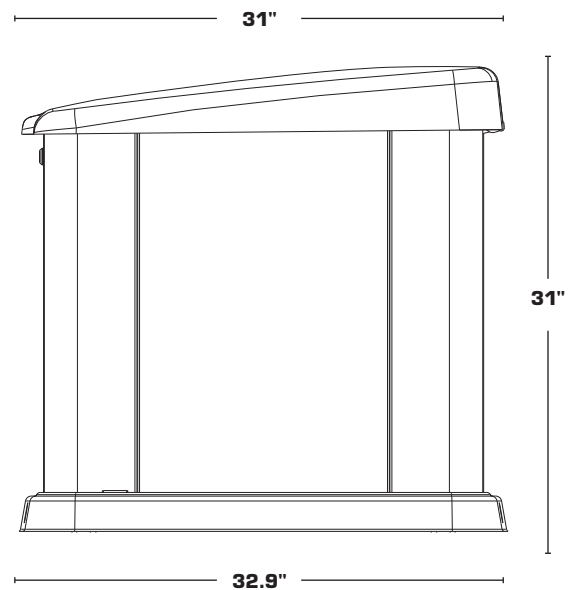
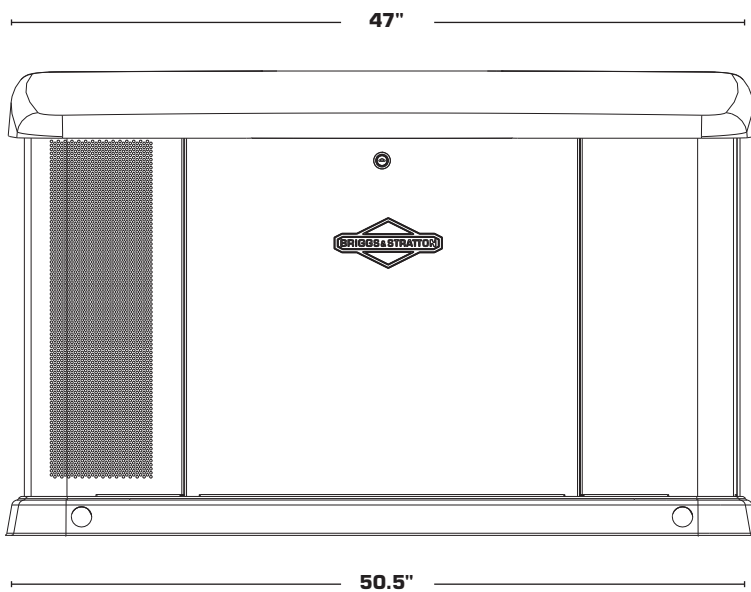
	17kW	20kW
Assembled Weight (lbs)	484	500
Overall Dimensions (in)	50.5 x 32.9 x 31	50.5 x 32.9 x 31
Packaged Weight (lbs)	597	613
Packaged Dimensions (in)	68.1 x 41 x 39.5	68.1 x 41 x 39.5

CERTIFICATION

CARB Compliant	Yes
NFPA Approved	Yes
cUL Listed to CSA 22.2 NO 100-04	Yes
NEMA Compliant	Yes
EPA Certified Fuel System	Yes

AVAILABLE ACCESSORIES

Maintenance Kit	6035
Cold Weather Kit	Briggs & Stratton 6231
Basic Wireless Monitor	6264
InfoHub	6260
Remote Status Monitor	6144





FUEL PIPE SIZE RECOMMENDATION CHART (CAPACITY IN THOUSANDS OF BTU/HOUR)

Natural Gas/Inlet Pressure less than 2 PSI/ Pressure drop .05" w.c./ Specific Gravity 0.60

	1/2" pipe capacity	3/4" pipe capacity	1" pipe capacity	1-1/4" pipe capacity	1-1/2" pipe capacity	2" pipe capacity
20' Length*	118	247	466	957	1,430	2,760
40' Length*	81	170	320	657	985	1,900
60' Length*	65	137	257	528	791	1,520
80' Length*	56	117	220	452	677	1,300
100' Length*	50	104	195	400	600	1,160

Propane, Pipe/Tubing, Second, Single or Integral Twin Stage Pipe Sizing 11" Water Column Inlet with a 1/2" Water Column Drop Maximum Capacity of Pipe or Tubing

	1/2" pipe capacity	3/4" pipe capacity	1" pipe capacity	1-1/4" pipe capacity	1-1/2" pipe capacity	2" pipe capacity
20' Length*	200	418	788	1,617	2,423	4,666
40' Length*	137	287	541	1,111	1,665	3,207
60' Length*	110	231	435	892	1,337	2,575
80' Length*	94	198	372	764	1,144	2,204
100' Length*	84	175	330	677	1,014	1,954

*Total length of piping from outlet of regulator to appliance furthest away.

ADDITIONAL INFORMATION

TRANSFER SWITCH SPECIFICATIONS

Prewired 16 Circuit	100 AMP	Model #071076
Standard 16 Circuit	100 AMP	Model # 071047
Symphony® II	100 AMP	Model # 071071
Symphony® II	150 AMP	Model # 071070
Symphony® II	200 AMP	Model # 071068
Symphony® II Dual 200 Amp	2x200/400	Model # 071057
Voltage Rating	120/240	
Number of Protected Circuits	Select Circuit: 16 Symphony® II: Whole House	
UL Approved	Yes	
NEMA 3R Rated	Yes	

SUPPORT EVERY STEP OF THE WAY

NEED HELP? Just call 800-759-2744

Our technical support team is trained to answer questions on our generators, transfer switches and accessories.

**CALL TODAY FOR A FREE IN-HOME ESTIMATE!
800-743-4115**

Disclaimer: Not for Prime Power or use where standby systems are legally required, for serious life safety or health hazards, or where lack of power hampers rescue of fire-fighting operations.

BRIGGS & STRATTON

POWER PRODUCTS GROUP, LLC
POST OFFICE BOX 702
MILWAUKEE, WI 53201 USA
Copyright ©2016. All rights reserved. BS1007-G – 5/16